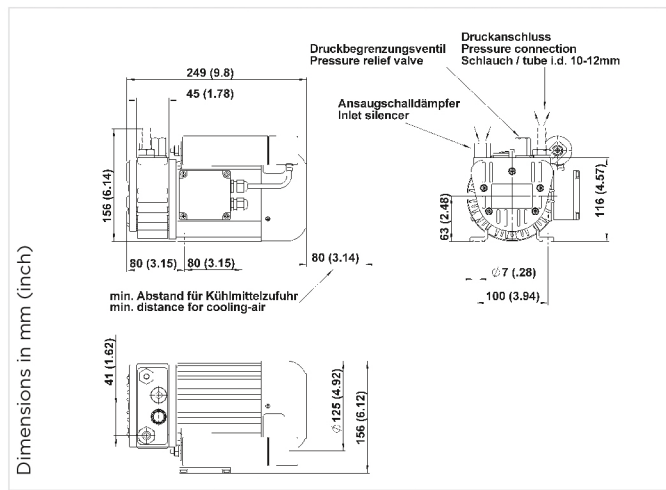


Rotary Vane Pump DTE 8

Flow	8.0/9.6 m³/h
Max. pressure	1.0 bar



PNEUMATIC DATA

Description	DTE 8 230/50/60	DTE 8 115/50/60	DTE 8 Three-phase 50/60	DTE 8 24 DC
Max. flow	8.0/9.6 m ³ /h	8.0/9.6 m ³ /h	8.0/9.6 m ³ /h	8.0 m ³ /h
Max. intermittent pressure	0.8 bar	0.8 bar	1.0 bar	1.0 bar
Max. continuous pressure	0.8 bar	0.8 bar	1.0 bar	1.0 bar

ELECTRICAL DATA

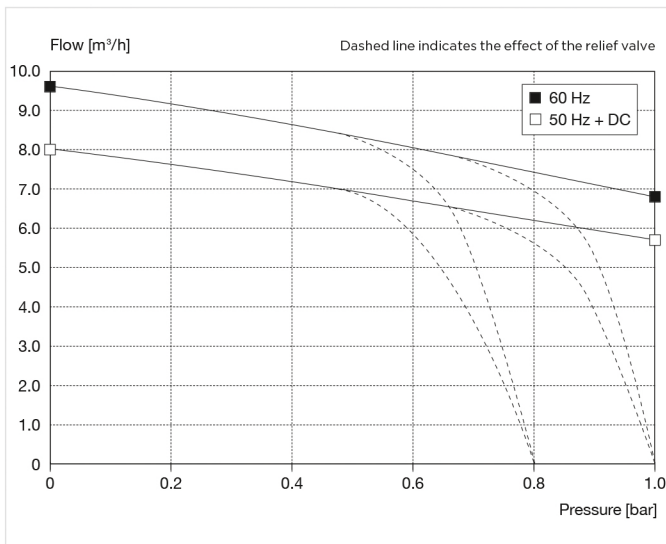
Motor type	Capacitor	Capacitor	Three-phase	Permanent magnet
Nominal voltage	230 V ±10% 50/60 Hz	100 V ±10% 50 Hz 115 V ±10% 60 Hz	200-255/346-440 V 50 Hz 200-277/346-480 V 60 Hz	24 V DC
Nominal speed	2700/3200 rpm	2750/3300 rpm	2850/3380 rpm	3300 rpm
Motor rating	0.35/0.42 kW	0.35/0.42 kW	0.37/0.44 kW	0.37 kW
Current consumption	3.9/3.4 A	9.0/8.4 A	2.77/1.60/2.25/1.30 A	21 A
Motor insulation class	F	F	F	F
Protection class	IP54	IP54	IP54	IP55
Thermal protector	yes	yes	no	no
UL recognized motor	no	yes	no	no

GENERAL DATA

Ambient temperature	0 to 50 °C	0 to 50 °C	0 to 50 °C	0 to 50 °C
Weight	8.0 kg	8.0 kg	8.0 kg	9.2 kg
Direction of rotation	ccw	ccw	ccw	ccw
Average noise level	62/63 dB (A)	62/63 dB (A)	62/63 dB (A)	67 dB (A)

All listed flow values relate to air at standard atmospheric conditions.
Further information (general usage, installation, servicing etc.) is available in the operating instructions manual.
Further UL recognized motor on request.

FLOW CURVES



SUPPLIED AS STANDARD

- Tube connector G 3/8 (Tube I.D. 10 - 12 mm)
- Inlet silencer G 3/8
- Pressure relief valve (0.6/1.0 bar) G 3/8

SERVICE PARTS

- 4 x Vanes
- 1 x Filter cartridge
- 2 x Filter seal (ring)
- 1 x Filter seal
- 3 x Gasket (copper)
- 1 x O-ring (only for VTE needed)